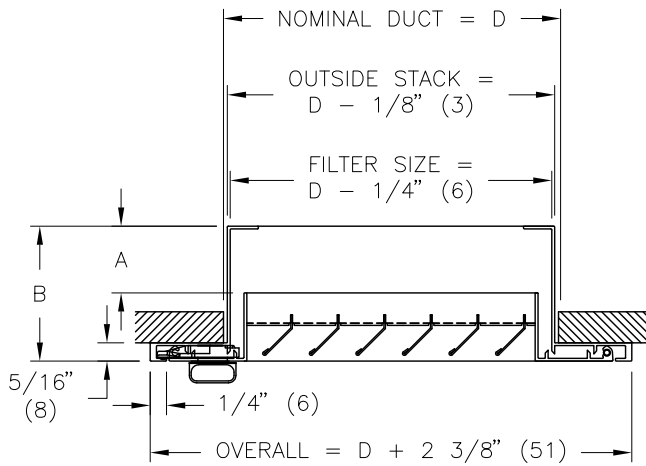
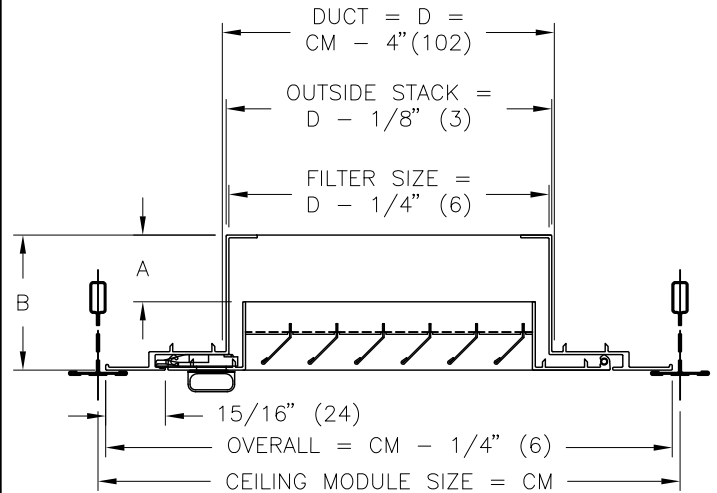


630FF, 635FF ALUMINUM FILTER GRILLES

□ **SM - SURFACE MOUNT**

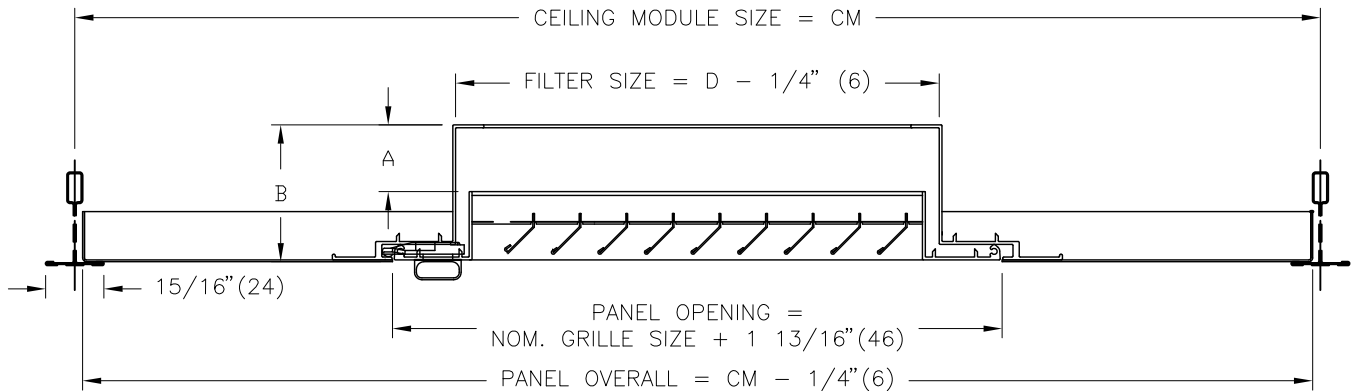


□ **TB - 15/16" T-BAR LAY-IN**

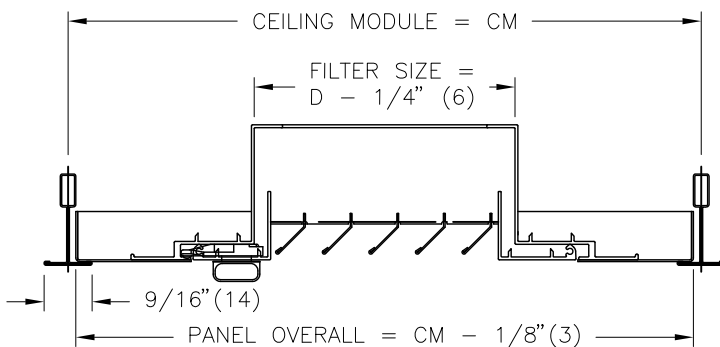


630FF, 635FF PANEL MOUNTED FILTER GRILLES

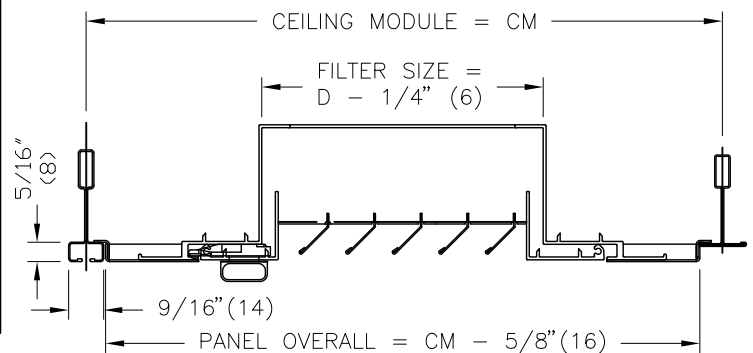
□ **3PA - 15/16" T-BAR LAY-IN PANEL**



□ **916PA - 9/16" T-BAR LAY-IN PANEL**



□ **17PA - 9/16" TEGULAR OR BOLT SLOT T-BAR PANEL**



ALL METRIC DIMENSIONS () ARE SOFT CONVERTED. IMPERIAL DIMENSIONS ARE CONVERTED TO METRIC AND ROUNDED TO THE NEAREST MILLIMETER.

PROJECT:

ENGINEER:

CUSTOMER:

SUBMITTAL DATE:

SPEC. SYMBOL:



MG

630FF, 635FF
ALUMINUM FILTER GRILLES

239549

2018/03/19

BLADE ORIENTATION:

- L** – BLADES ARE PARALLEL TO LONG DIMENSION
- S** – BLADES ARE PARALLEL TO SHORT DIMENSION

FILTER SIZE:

- 1"** – FILTER FRAME ACCEPTS 1" FILTER
- 2"** – FILTER FRAME ACCEPTS 2" FILTER

MATERIAL:

ALUMINIUM CONSTRUCTION

FINISHES:

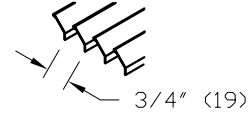
- B12 WHITE
(OPTIONAL FINISHES AVAILABLE)

NOTES:

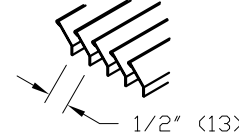
- SURFACE MOUNT:
MIN. SIZE: 8" X 4" (203 X 102)
MAX. SIZE: 48" X 48" (1219 X 1219)
- T-BAR LAY-IN MOUNT:
12" X 12" (305 X 305)
24" X 12" (610 X 305)
24" X 24" (610 X 610)
48" X 24" (1219 X 610)
48" X 48" (1219 X 1219)
- LISTED SIZE FOR T-BAR MOUNTING IS THE CEILING MODULE SIZE.
- LISTED SIZE FOR SURFACE MOUNTING IS THE NOMINAL DUCT SIZE.
- MOUNTING HOLES IN FILTER FRAME BY INSTALLER.
- 3PA, 916PA & 17PA T-BAR LAY-IN PANEL MOUNTED :
CEILING MODULE: 24" X 24" (610 X 610)
INLET SIZE: MIN. 6" X 6" (152 X 152), MAX. 18" X 18" (457 X 457)
CEILING MODULE: 48" X 24" (1219 X 610)
INLET SIZE: MIN. 6" X 6" (152 X 152), MAX. 42" X 18" (1067 X 457)
- FILTER MEDIA SUPPLIED BY OTHERS
- QUARTER TURN FASTENER LOCATION PER FACTORY STANDARD.
- MRI COMPATIBLE CONSTRUCTION OPTIONAL – REQUIRES QR FASTENING
- FACTORY TOLERANCE +/- 1/32" (1)

CORE STYLES:

- 630FF** – 3/4" BLADE SPACING



- 635FF** – 1/2" BLADE SPACING

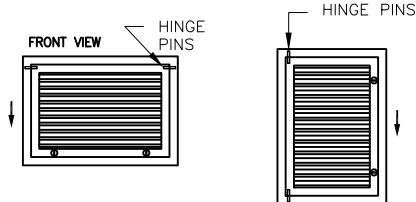


DIMENSIONING SCHEDULE

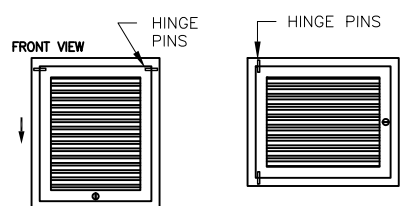
FILTER SIZE	A	B
1"	1 (25)	2 ³ / ₁₆ (56)
2"	2 (51)	3 ³ / ₁₆ (81)

FASTENER ORIENTATION:

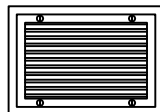
- HL** – HINGE TABS ARE PARALLEL TO LONG DIMENSION



- HS** – HINGE TABS ARE PARALLEL TO SHORT DIMENSION



- QR** – 1/4 TURN FASTENERS ONLY



ALL METRIC DIMENSIONS () ARE SOFT CONVERTED. IMPERIAL DIMENSIONS ARE CONVERTED TO METRIC AND ROUNDED TO THE NEAREST MILLIMETER.

PROJECT:		PRICE®	
ENGINEER:		<i>mg</i>	630FF, 635FF ALUMINUM FILTER GRILLES
CUSTOMER:		239549	
SUBMITTAL DATE:	SPEC. SYMBOL:	2018/03/19	